

Data sheet

FHV regulating valve

Temperature control of individual floor-heated rooms or mixed floor-heating/radiator systems

Application



FHV control valves are ideally suited to the temperature control of individual under-floor heated rooms and for systems using floor-heating in conjunction with radiators. Danfoss offers the following versions:

- the FHV-R provides temperature control of under-floor heating circuits, using a return temperature limiting valve fitted with a type FJVR sensor element

- the FHV-A enables floor temperature control via a pre-settable thermostatic valve fitted with a type RA 2000 sensor element

Note: If using the FHV-A for room temperature control, the flow temperature should not be permitted to exceed the maximum recommended by the floor heating supplier. When the FHV-R is used for controlling floor heating, the heated floor area should not be greater than 10 m².

FHV control valves are flexible to use and can be simply and easily installed in the floor heating circuit.

With the FHV-A, its integral pre-setting simplifies hydraulic balancing of the system. Connections to the 3/4" external thread are made with Danfoss compression connectors.

Ordering and technical data

FHV-R. Set includes wall enclosure box, cover and valve (return temperature limiter). An FJVR sensor element is required for controlling the return temperature.

Type	Description	Connection	kvs (m ³ /h)	Code no.
FHV-R	Valve with air vent & bleed key	G 3/4" A	0.88	003L100000
FHV-R	Valve with air vent, bleed key & drain hose	G 3/4" A	0.88	003L100300
FJVR	Return temp. limiter sensor. Setting range 10 -50 °C			003L104000
FJVR	Return temp. limiter sensor. Setting range 10 -80 °C			003L107000

FHV-A. Set includes wall enclosure box, cover and pre-settable valve. A type RA2000 sensor element is required for controlling the room temperature.

Type	Description	Connection	kvs (m ³ /h)	Code no.
FHV-A	Valve with air vent & bleed key	G 3/4" A	0.04-0.79	003L100100
FHV-A	Valve with air vent, bleed key & drain hose	G 3/4" A	0.04-0.79	003L100400
RA2010	Room temperature sensor. Setting range 5-26 °C			013G201000
RA2070	Room temperature sensor. Setting range 5-22 °C			013G207000

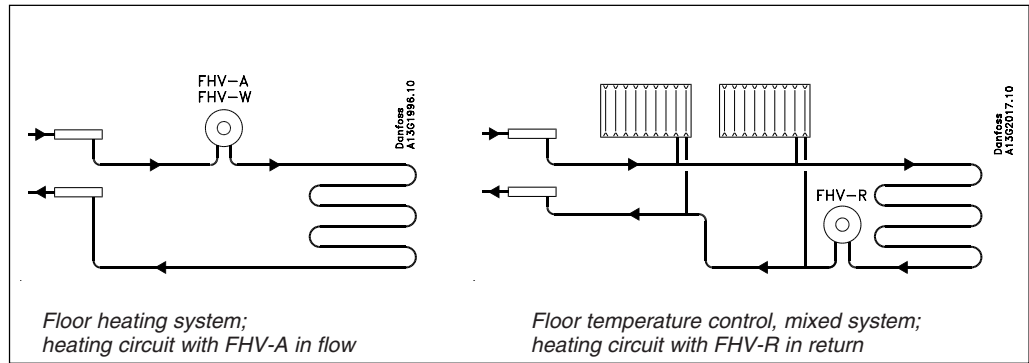
Compression fittings	Code no.	Compression fittings	Code no.
PEX 15x2.5 mm	013G414700	ALUPEX 14x2 mm	013G418400
PEX 16x2.2 mm	013G416300	ALUPEX 16x2 mm	013G418600
PEX 18x2.5 mm	013G415900	ALUPEX 18x2 mm	013G418800
PEX 20x2.5 mm	013G416100	ALUPEX 20x2 mm	013G419000

Spare parts	Code no.
Gland seal for FHV-A	013G029000
Gland seal for FHV-R	013U007000

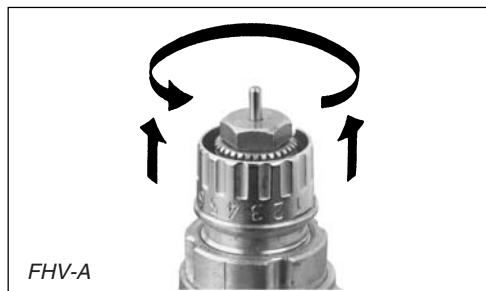
Accessories	Code no.
Mounting tool/installation aid with integral spirit level	003L133800
Bleed key	087N684900
Anti theft plugs for RA2000 sensors (50 pcs)	013G123200
Threaded range limiting pins for RA2000 sensors (30 pcs)	013G123700
Toolkit, comprising allen key for RA2000 sensors	013G123600
Round front cover for FHV-R/A	003L105000
Square frontcover for FHV-R/A	003L105200
Extension piece for RA sensors 17,9 mm	003L103500
Extension piece for FJVR sensors 17,9 mm	003L103600

Max. operating pressure 6 bar
 Max. differential pressure 0,6 bar
 Test pressure 10 bar
 Max. flow temperature 90 °C

System layouts



Pre-setting

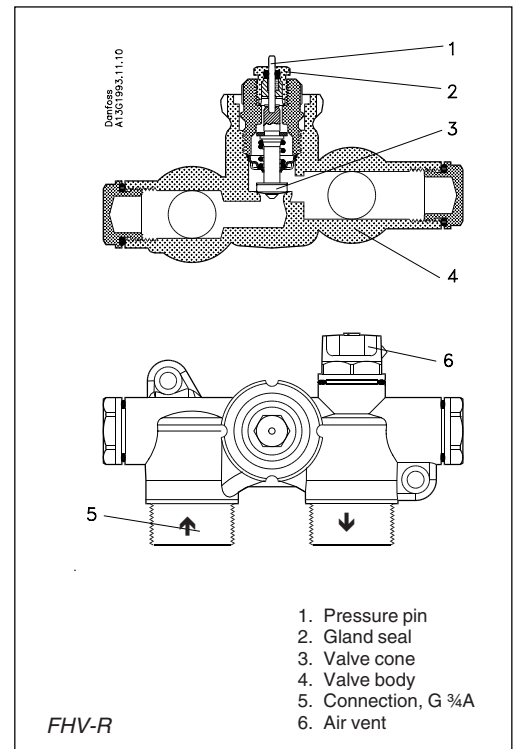
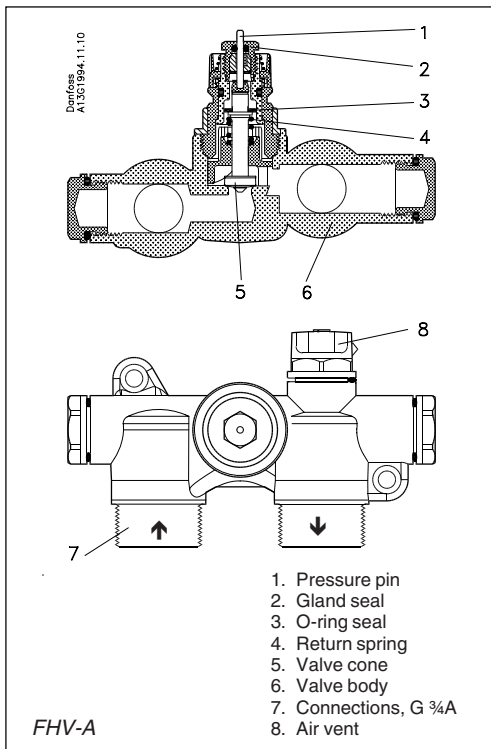


Danfoss pre-settable valve bodies incorporate easy setting adjustment rings with clearly engraved setting markers scaled from 1 - 7 and N. Setting values can be set quickly and precisely, without the need for tools, as follows:

- Remove protective cap or sensor element
- Lift setting ring
- Turn anti-clockwise to the desired engraved setting value
- Allow setting ring to spring back into position

The preset level can be selected in 0.5 increments between 1 and 7 (see chart on page 3 for flow rates). At setting N the valve is fully open (flushing option).

Construction

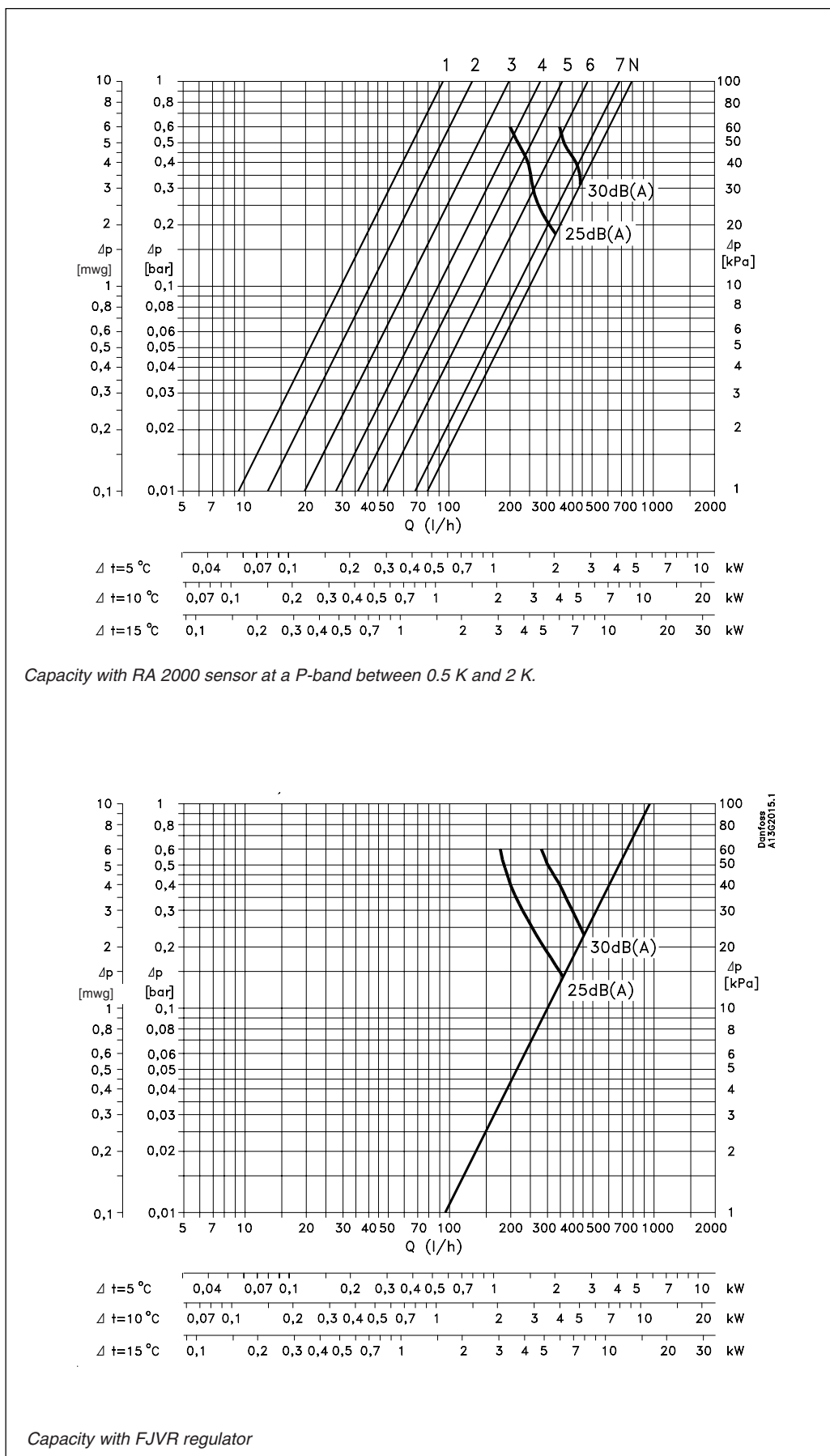


Materials in contact with water

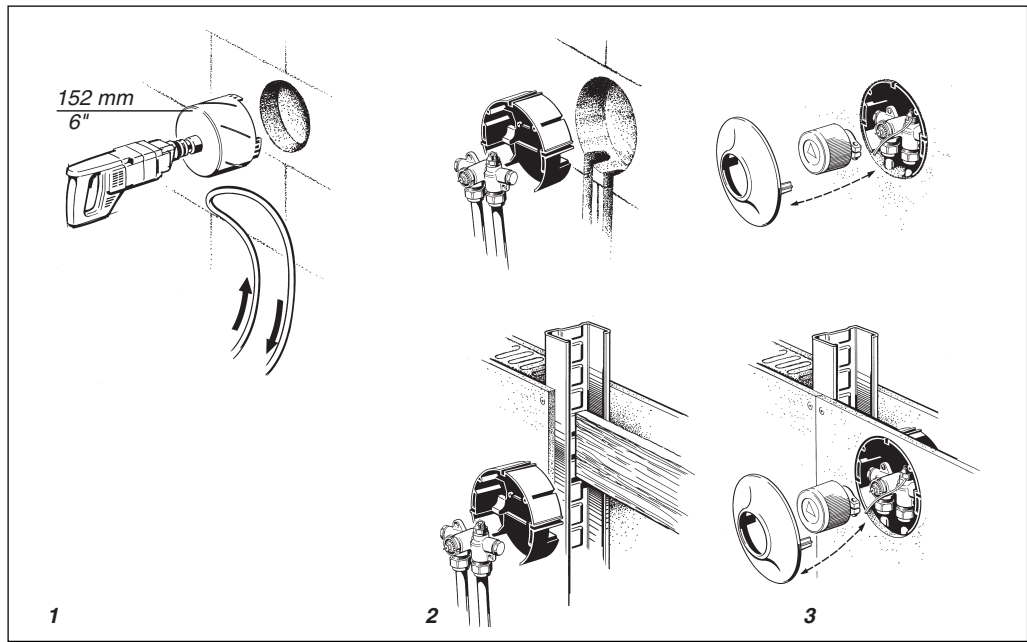
Setting cylinder	PPS
Spindle	Ms, resistant against de-zincification
O-ring	EPDM
Valve cone	NBR
Pressure pin, valve spring	Chrome-plated steel
Valve body, other metal parts	Ms 58

Connection: 3/4" external thread for compression fittings.

Capacities



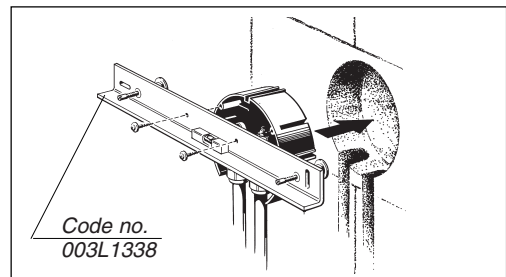
Installation



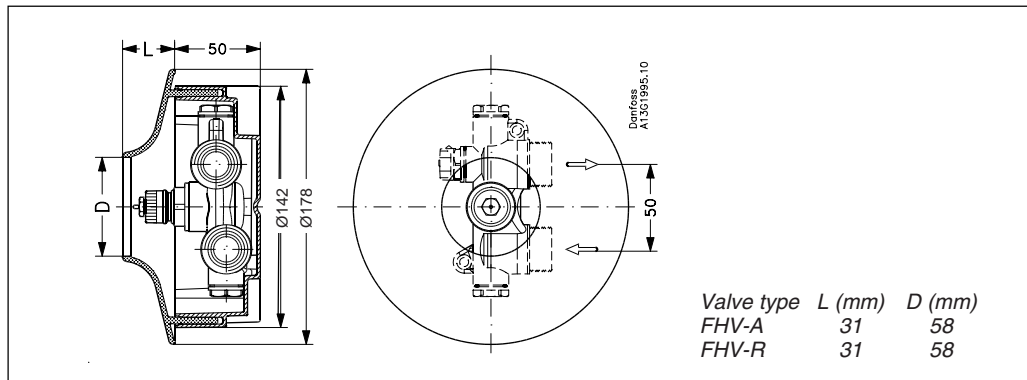
FHV valves are equally suitable for installation in solid or partition walls. To assist in the fitting of FHV control valves, we offer a compact customised valve enclosure wall box that can be fitted and fastened easily into a shallow recess in any type of wall.

All connections are made within the enclosure. The Danfoss sensor is simply plugged on.

An optional installation aid, incorporating a spirit level, is available to make assembly extra easy and reliable.



Dimensions



Danfoss can accept no responsibility for possible errors in catalogues, brochures and other printed material. Danfoss reserves the right to alter its products without notice. This also applies to products already on order provided that such alterations can be made without subsequential changes being necessary in specifications already agreed. All trademarks in this material are property of the respective companies. Danfoss and the Danfoss logotype are trademarks of Danfoss A/S. All rights reserved.



Danfoss Randall Ltd.

Amphill Road
 Bedford
 MK42 9ER
 Telephone: 01234 364621
 Fax: 01234 219705